



Willem Wempe (NL) willemwempe@hetnet.nl

Dennes Jansens (NL) etpcsit@gmail.com

Peter de Wit (NL) etpc@hetnet.nl

Hans Chistian Schmidt (Dk) hca.schmidt@gmail.com

Kai-Uwe Wegner (D) Kai-UweWegner@gmx.de

European Tractor Pulling Committee

Tech and Safety Board

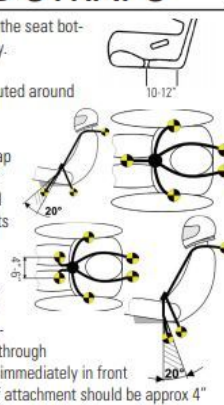
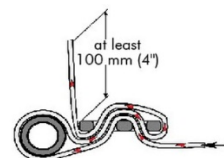
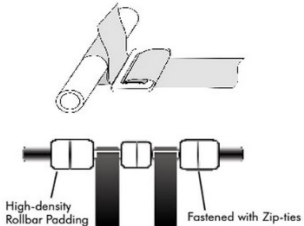
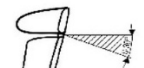
Date : 1st March 2022

To : ETPC Members
ETPC Representatives
ETPC Daily Board
ETPC Tech & Safety Board

Rule changes Mini Modified class: effective 2022 Outdoor season (April)

1. Track length 100 m.
2. Sledge speed < 60 km/h (or lower)
3. In all classes with ROP the use of a 4-point seatbelt-assembly or better is mandatory but a 5 point (or better) seatbelt is highly recommended.
For Mini Modifieds a 5-point (or better) seatbelt is mandatory .

All seatbelts mounted to the rollcage structure, independent of the tractor chassis, belt angles according guidelines of manufacturer. Belts to the mount should be as short as possible. Crotch Belt should never wrap around the front of the seat – there should be a pass through.

<h3>ANTI-SUB STRAPS</h3> <ul style="list-style-type: none">□ The sub-strap opening in the seat bottom is positioned properly.□ Sub-strap must not be routed around the front of the seat.□ A 5-point (single) sub-strap is center mounted 10-20° forward of the tangential plane of the shoulder belts thru the sub-strap hole.□ A 6-point (dual) sub-strap is mounted a minimum of 20° rearward from perpendicular drawn to the floor through sub-strap hole in the seat immediately in front of the groin. Two points of attachment should be approx 4" to 6" between (2" to 3" left and right of the centerline). 	  
---	--



Willem Wempe (NL) willemwempe@hetnet.nl

Dennes Jansens (NL) etpcsit@gmail.com

Peter de Wit (NL) etpc@hetnet.nl

Hans Chistian Schmidt (Dk) hca.schmidt@gmail.com

Kai-Uwe Wegner (D) Kai-UweWegner@gmx.de

European Tractor Pulling Committee

Tech and Safety Board

4. Seat as it is written down now. Add: seat must fit driver and headrest mandatory. (on seat or on rollcage). Additional fixing according to the seat manufacturer's recommendations.



5. For Mini Modified: only wide metal skid plate allowed. Width: from frame rail to frame rail, Plate length: min. 100 mm + rolled edge at the front (min. 100 mm curve). Thickness of material min. 4 mm. Maximum ground clearance 50 mm.
It is recommended to make the flat sliding part of the plate under a small angle so it will slide better if it hits the ground.



Willem Wempe (NL) willemwempe@hetnet.nl

Dennes Jansens (NL) etpcsit@gmail.com

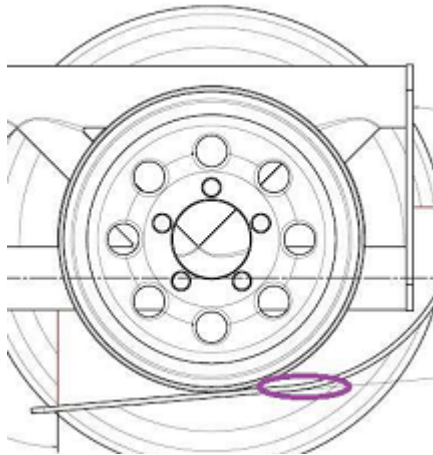
Peter de Wit (NL) etpc@hetnet.nl

Hans Chistian Schmidt (Dk) hca.schmidt@gmail.com

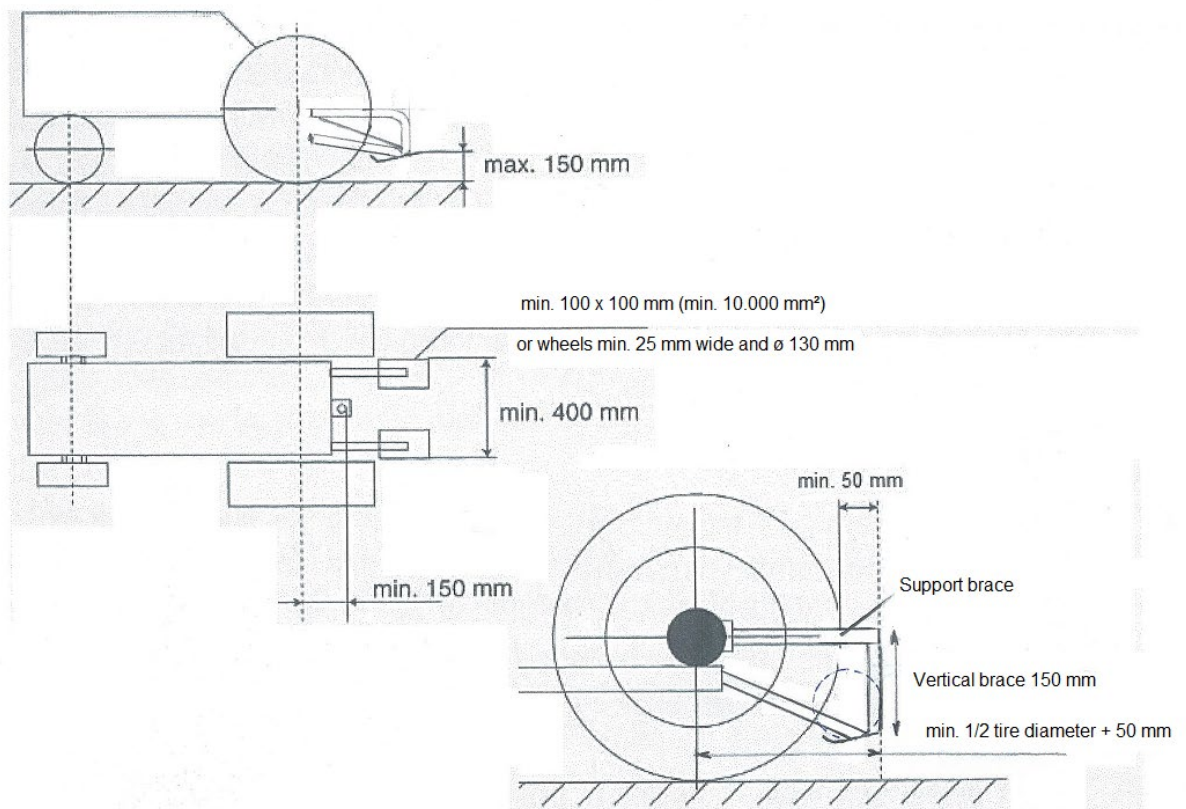
Kai-Uwe Wegner (D) Kai-UweWegner@gmx.de

European Tractor Pulling Committee

Tech and Safety Board



6. For Mini Modified: Stabilizer bars max height back to 150 mm. Pads must extend minimum 50 mm behind tire. All measured at highest point of pad.





European Tractor Pulling Committee

Tech and Safety Board

Willem Wempe (NL) willemwempe@hetnet.nl

Dennes Jansens (NL) etpcsit@gmail.com

Peter de Wit (NL) etpc@hetnet.nl

Hans Chistian Schmidt (Dk) hca.schmidt@gmail.com

Kai-Uwe Wegner (D) Kai-UweWegner@gmx.de

7. All drivers are recommended to wear a full 360 degree neck collar or HANS (or Hybrid system) device. **Hans (or Hybrid system) is strongly recommended for Mini Modified class.**
8. Extra weight for complying with these rules is only the weight of the skid plate and the HANS device, The 950 kg limit will not change. If there are problems contact ETPC T&S.

On behalf of the ETPC Tech & safety Board
Willem Wempe