



Willem Wempe (NL) [willemwempe@hetnet.nl](mailto:willemwempe@hetnet.nl)

Dennes Jansens (NL) [etpcsit@gmail.com](mailto:etpcsit@gmail.com)

Peter de Wit (NL) [etpc@hetnet.nl](mailto:etpc@hetnet.nl)

Hans Chistian Schmidt (Dk) [hca.schmidt@gmail.com](mailto:hca.schmidt@gmail.com)

Kai-Uwe Wegner (D) [Kai-UweWegner@gmx.de](mailto:Kai-UweWegner@gmx.de)

## European Tractor Pulling Committee

### Tech and Safety Board

---

Date : 1<sup>st</sup> March 2022

To : ETPC Members  
ETPC Representatives  
ETPC Daily Board  
ETPC Tech & Safety Board

Rule changes 2022 Rulebook (includes also 2021 changes)

Page 3 E-mail contact ETPC Tech & Safety board: ~~Mr. Peter de Wit; [etpc@hetnet.nl](mailto:etpc@hetnet.nl)~~  
**Mr. Willem Wempe; [willemwempe@hetnet.nl](mailto:willemwempe@hetnet.nl)**

Page 6 Belgium ~~Belgische Kracht Tractoren Vereniging (BKTV)~~  
**Belgische Tractor en Truck Organisatie (BTTO)**  
~~Poland ———— Polskie Stowarzyszenie Tractorpullingu (PSTP)~~

Page 9 **ETPC WEIGHT CLASSES**  
~~Trucks 8500 kg — 10500 kg~~  
**Farm Stock**  
**Garden Pullers**

**See ETPC Truck Rulebook on website**  
**See ETPC Farm Stock Rulebook on website**  
**See ETPC Garden Puller Rulebook on website**

~~Garden Pullers:~~

~~-Stock ————— 350 kg — 500 kg~~

~~-Super stock ————— 500 kg~~

~~-Modified ————— 500 kg~~

~~-Compact diesel — 600 kg~~

#### **DRAWBAR HEIGHT AND LENGTH**

~~Trucks 1170 mm — 860 mm~~ **See ETPC Truck Rulebook on website**

**Farm Stock** **See ETPC Farm Stock Rulebook on website**

**Garden Pullers** **See ETPC Garden Puller Rulebook on website**

Page 10 **Modified, Super Stock, Pro Stock, Two Wheel Drives and Trucks:**



Willem Wempe (NL) willemwempe@hetnet.nl

Dennes Jansens (NL) etpcsit@gmail.com

Peter de Wit (NL) etpc@hetnet.nl

Hans Chistian Schmidt (Dk) hca.schmidt@gmail.com

Kai-Uwe Wegner (D) Kai-UweWegner@gmx.de

## European Tractor Pulling Committee

### Tech and Safety Board

---

Page 13 ~~Trucks:~~ **remove all 6 points all 2 Illustrations**

Page 17 ~~C. Trucks using a combination of engine, clutch etc. Also C1 till C5  
and Illustration 2-9 two piece protection~~

Page 24 ~~B. Trucks and point 1. And 2.~~

**B. Drive line shield tethering for all classes (also for Mini Modifieds)**

1. Only for shields over 40 cm in length.
2. All driveline shield components must be tethered on each end by two opposing restraints. Tethers must attach at 180 degrees of each other and a minimum of 75 mm and a maximum of 150 mm from each end of each driveline shield component.  
*Note: Modifieds can tether back to chassis where applicable.*
3. Tether to be constructed of a minimum of 50 mm wide by minimum 2.38 mm thick nylon or polyester strap. One end of tether must attach to one side of the chassis, then go around the driveline shield, then attach to the other side of the chassis. Tether must be attached to chassis by a minimum of one M10 grade 8.8 bolt with a grommet on each side or wrap around the chassis and use a buckle to fasten it to itself.

Page 25 **H.Chassis**

2. Skid plates **for vehicles > 950 kg** must be one of the two types below:
  - a. Skid-plate mounted in line with each frame rail (on both sides) at the front,.....  
~~(950 kg modifieds: min. 50 mm wide, min 250 mm length and min. 50 mm curve)~~
  - b. Skid-plate mounted to centre at the front, must.....  
~~(950 kg modifieds: min 250 mm wide with rolled edge front and min. 100 mm length)~~

Page 27 13. All turbocharged ~~inline~~ engines ~~and all turbocharged diesel engines~~ must have one steel cable totally surrounding the engine-block and head. This cable must be placed between first and second cylinder (from front of tractor) through exhaust-port area.

Page 32 **By one stage turbocharged diesel engines the following stronger shielding (exhaust outlet above 114 mm)** *This must be in bold an font size 14*

Page 36 **2b-Turbocharger protection for all turbocharged engines used in tractor pulling (except diesel engines).** *This must be in bold an font size 14*

Page 45 8. The break-away Kill switch must have a **solid steel ring (ring no less than 3 mm cross-sectional thickness)** attached with a minimum diameter of 50 mm.



Willem Wempe (NL) willemwempe@hetnet.nl

Dennes Jansens (NL) etpcsit@gmail.com

Peter de Wit (NL) etpc@hetnet.nl

Hans Chistian Schmidt (Dk) hca.schmidt@gmail.com

Kai-Uwe Wegner (D) Kai-UweWegner@gmx.de

## European Tractor Pulling Committee

### Tech and Safety Board

---

- Page 46 ~~4. The maximum age of a Nomex fire suit is six (6) years, of other suits two (2) years. In cases of doubt it is the competitor's responsibility to prove the age of the suit.~~
4. -The maximum age of a one layer Nomex 3 (or equivalent) fire suit (Time to 2nd Degree Burn 3 Seconds) is six (6) years, of other suits (i.e. fire retardant cotton) two (2) years.  
The maximum age of a three layer Nomex 3 (or equivalent) fire suit (Time to 2nd Degree Burn 10 Seconds or more) is ten (10) years.  
In cases of doubt it is the competitor's responsibility to prove the age and specification of the suit.  
If the driver's protective clothing is not in good condition (e.g. rips, tears abrasions and stains that could compromise its ability to protect you) officials have the right not to allow the vehicle to pull.  
- All drivers are recommended to wear a full 360 degree neck collar or HANS (or Hybrid system) device. **Hans (or Hybrid system) is strongly recommended for Mini Modified class.**  
-Suits must have the possibility to tie collar, sleeves and legs. If leather boots are used fire-socks are not mandatory.
- Page 47 10. The use of a safety belt with a fast draw-latch for quick release is highly recommended in all classes without Roll Over Protection (ROP).  
In classes with ROP the use of a 4-point seatbelt-assembly or better is mandatory.  
For Mini Modified the use of a 5-point seatbelt-assembly or better is mandatory and for all other classes with ROP a 5-point seatbelt-assembly or better is highly recommended.  
The seatbelt-assembly must be attached to the roll cage. **Belt angles according to the guidelines of the manufacturer. Belts should be as short as possible. Crotch Belt should never wrap around the front of the seat – the crotch belt should pass through the seat.** (See Illustration 2-34 for **general guideline** installation of seatbelts).
- Page 47 **O.Seats and fenders**
- c. Seat back must extend vertical from base of seat to drivers shoulders, **seat must fit driver and have a headrest (on seat or on rollcage).**
- d.Seats must be securely fastened to vehicle chassis with a minimum of four (4) M8 (grade 8.8 or better) bolts, two (2) across the front of the base and two (2) across rear of base. **Additional fixing according to the seat manufacturer's recommendations.**
- Page 50 4.All supercharger/blower drive components must be shrouded on the top and sides with 2 mm steel or aluminum the shield to be wider than the drive belt or chain and securely mounted. Blower shield to be wider than all components, idler belt, pulleys, etc. Shielding for blower belts can be open at bottom part ,not higher than centerline crankshaft.  
**Cannister motorsports tube-type blower belt shields are also allowed.**
-

### Tech and Safety Board

Page 49

Billet blower pulleys are mandatory, no cast pulleys allowed.

#### **B Modifieds <950 kg**

1. Stabilizer bars are required. The drawbar and drawbar assembly will not in any way be attached to stabilizer bar assembly. This device has to have wheels or a skid plate. Wheels are to be at least 25 mm wide and 130 mm in diameter. Skid pads to be at least 10.000 mm<sup>2</sup> at ground contact point (see illustration 2-36).

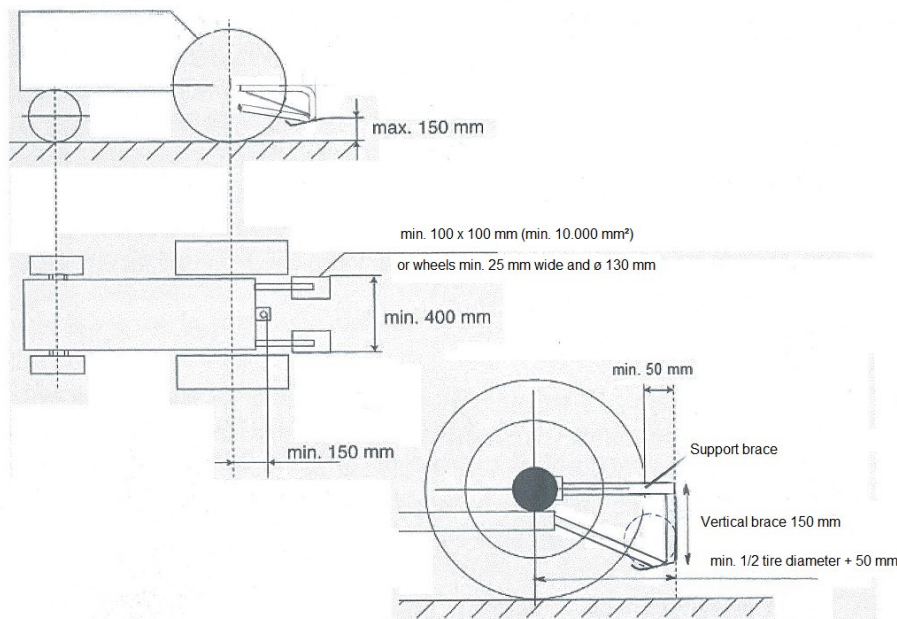
2. Wheels or skid pads **must extend a minimum of 1/2 the tire diameter + 50 mm length, from horizontal line, drawn from rear axle centerline to ground untill rear of pad.**

Pads to be no more than ~~170~~ **150** mm above ground. Measured at the highest point of the pad.

**In addition to stabilizer bars there must be a brace that extends vertically 150 mm from rear most tip of the skid pads.**

**There must be a support brace extending inward to frame, axle, or top of stabilizer arms.**

One skid pad or wheel is to be on each side of tractor and the minimum distance from outside edge of one pad/wheel to outside edge of the other is 400 mm.



#### **III. 2-36: dimensions stabilizer bars, bumper and hitch modifieds <950kg**

*Note:* For all classes: The stabilizer bar system must be able to support the weight of the vehicle in the heaviest class pulled. Jacking up the pads so tractor is completely off the ground will be a good test.



Willem Wempe (NL) willemwempe@hetnet.nl

Dennes Jansens (NL) etpcsit@gmail.com

Peter de Wit (NL) etpc@hetnet.nl

Hans Chistian Schmidt (Dk) hca.schmidt@gmail.com

Kai-Uwe Wegner (D) Kai-UweWegner@gmx.de

## European Tractor Pulling Committee

### Tech and Safety Board

---

#### Page 61 Point D 4. Complete new text:

- 4. Engine cylinder head(s) must be OEM agricultural type for that brand engine and matching the original engine block – no mixing of brands
  - 2 valves per cylinder, multivalve heads are only allowed if available as OEM for the brand
  - No conversion to overhead cam allowed
  - Connection side of inlet and exhaust manifolds must be 90 degrees with head gasket or OEM
  - All ports must be in stock location and the valves have to come in at the stock angle. The stock angle is 90 degrees
  - All bolt patterns must stay in stock location
  - Aftermarket machining and modifications allowed on the cylinder head(s) casting. No alterations to the casting allowed that will change the original air inlet and outlet positions or bolt pattern
  - Steel recast or billet heads allowed (no Aluminium) but must be with OEM dimensions. Water channels are not required in recast/billet heads
  - OEM and recast/billet cylinder heads must be inspected “off the tractor” and will get a unique stamp and serial number once approved. Recast/billet cylinder heads must be presented for inspection along with an OEM cylinder head for the brand as a reference to check all the points above
  - Tractors competing in ETPC competitions (i.e. Eurocup Series/European Championships) must have the unique stamp and serial number. Tractors competing without this must contact National and ETPC Tech & Safety Board to make an appointment when and where the inspection will be done

#### Page 64 ~~b. All mini rods must have a driveline tether to be center of driveline length~~

~~Tether must be constructed of a minimum of 50 mm wide by 3 mm thick nylon strap. Tether must attach to one side to the frame then to the driveline shield then on to the other side of the frame by a minimum of one M10 grade 8.8 bolt at all three points of attachment. Strap must have metal grommet for each bolt to pass through. Other style attachments must have written approval of ETPC T&S Board/ National T&S Board.~~

- 2 b.All Mini Modifieds must have metal skid-plates under the front part of the chassis/ frame to keep vehicle on the track in case of losing a front wheel.  
Skid plate width: from frame rail to frame rail, length: min. 100 mm + rolled edge front (min. 100 mm curve). Skid plate material thickness min. 4 mm. Maximum ground clearance 50 mm.  
It is recommended to make the flat sliding part of the plate under a small angle so it will slide better if it hits the ground.



Willem Wempe (NL) willemwempe@hetnet.nl

Dennes Jansens (NL) etpcsit@gmail.com

Peter de Wit (NL) etpc@hetnet.nl

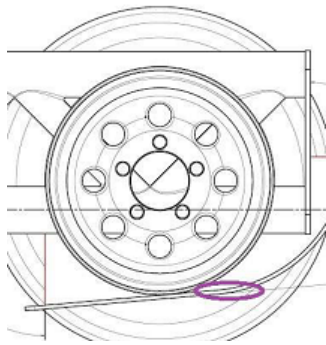
Hans Chistian Schmidt (Dk) hca.schmidt@gmail.com

Kai-Uwe Wegner (D) Kai-UweWegner@gmx.de

## European Tractor Pulling Committee

### Tech and Safety Board

---



Page 66 **Chapter 8 TRUCKS (Pages 66-67 – new wording for complete section)**

The full ETPC Truck Rulebook is available on the website, the same as Farmstock and Garden Pulling.

Page 73 **Requirements for Euro Cup and European Championship pulls**

The European Championships are run with the current classes in Europe, these classes are: Prostock, Superstock, Light Modified, Modified, Heavy Modified, Mini Modified  
And with a pot of four classes, to choose at least one of them for each event.

Those classes are: 2WD, 3.6T Super Sport, **4.5T Super Sport**, Limited Super Stock.

Page 79 Numbering not correct. **Remarks goes from 6 to 8.**

**Chapter 13: ETPC SAFETY PROGRAM (Page 81 – new wording added to this section)**

**B. Age limits for safety equipment**

*Note:* See also ETPC T&S Letter: Clutch inspections and safety equipment checks when not used in competition during 2020 on the official ETPC website.

On behalf of the ETPC Tech & safety Board  
Willem Wempe